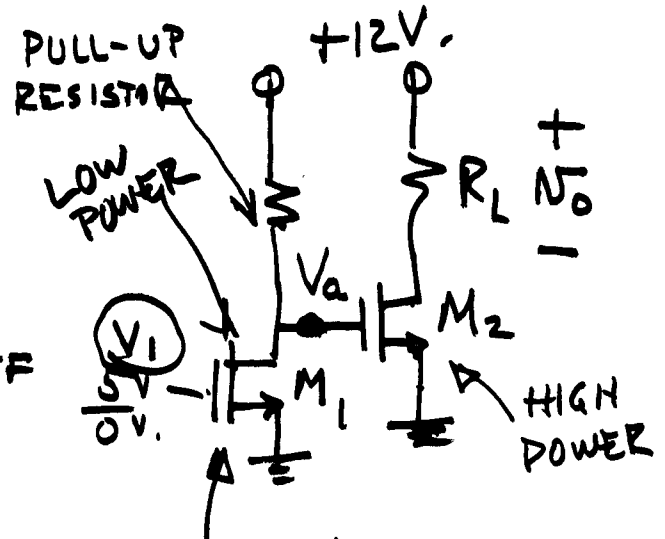


$$V_{TN} = 6V.$$

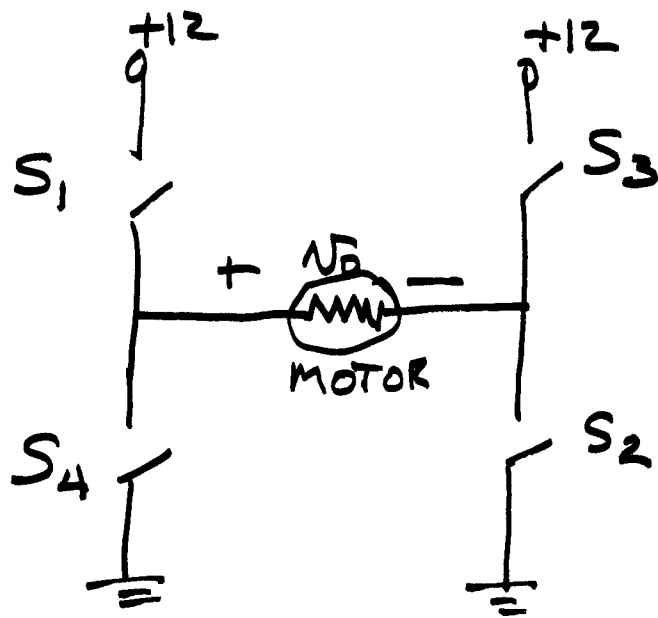
$$5V = V_{GS} \rightarrow \text{OFF}$$



$$V_{TN} = 1V.$$

V ₁	M ₁	M ₂	V _a	N ₀
0	OFF	ON	12	≈ 12V.
1	ON	OFF	≈ 0	0

$$1 = 5V.$$



S_1 S_2 ON (CLOSED) $V_o = 12V.$

S_3 S_4 ON $V_o = -12V.$

S_4 S_2

$V_o = 0$

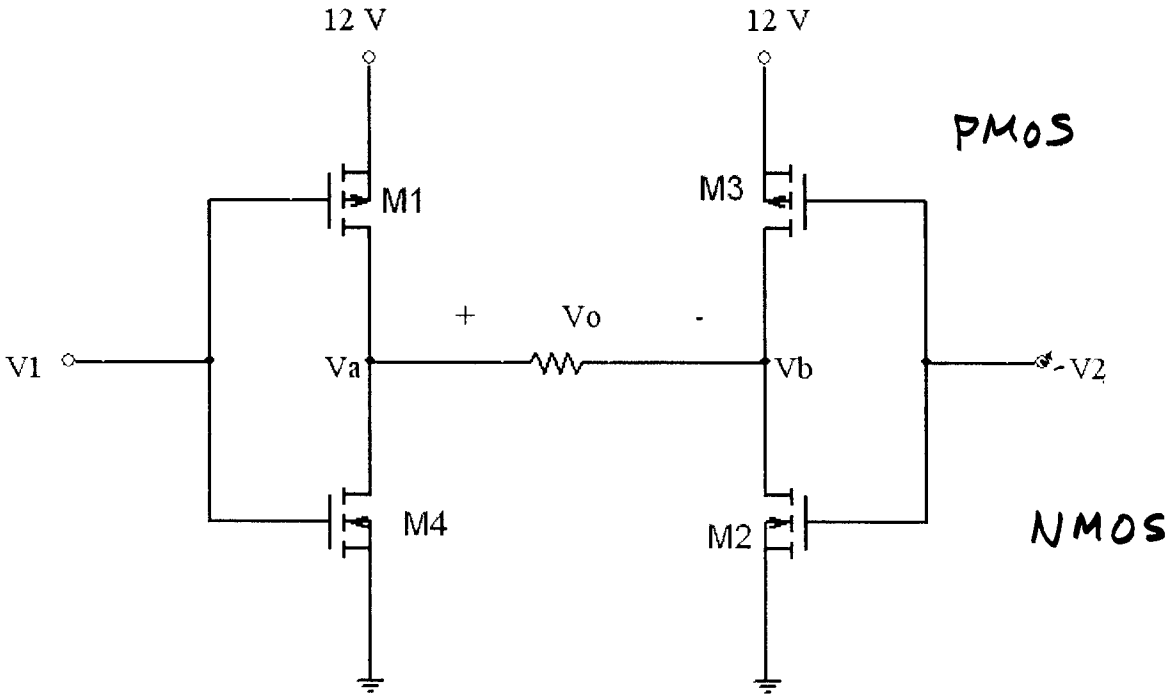
S_1 S_3

$V_o = 0$

S_1 S_4



H-BRIDGE SWITCHING CIRCUIT



V1	V2	M1	M2	M3	M4	Va	Vb	Vo
0	0	ON	OFF	ON	OFF	12	12	0
0	1	ON	ON	OFF	OFF	12	0	12
1	0	OFF	OFF	ON	ON	0	12	-12
1	1	OFF	ON	OFF	ON	0	0	0

"0" = 0 V

"1" = 12 V