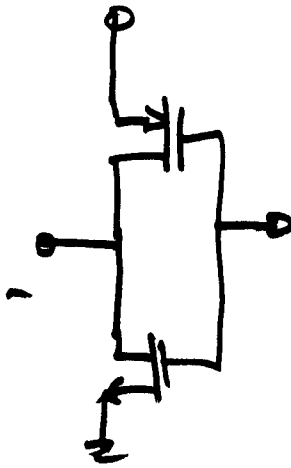
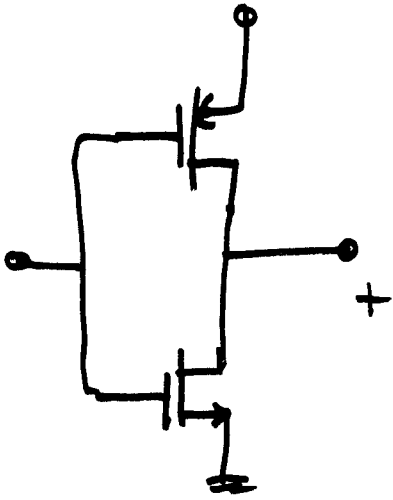
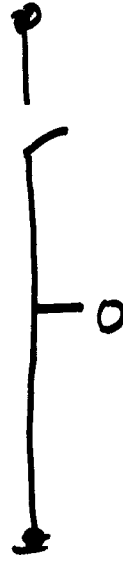
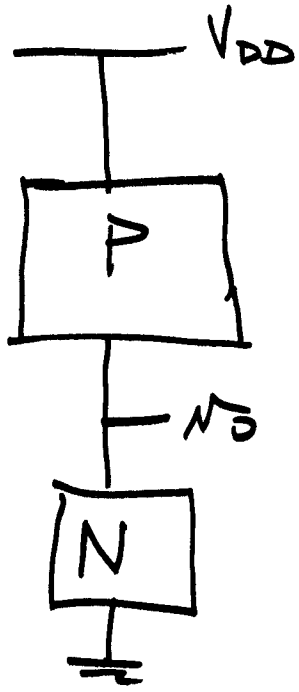
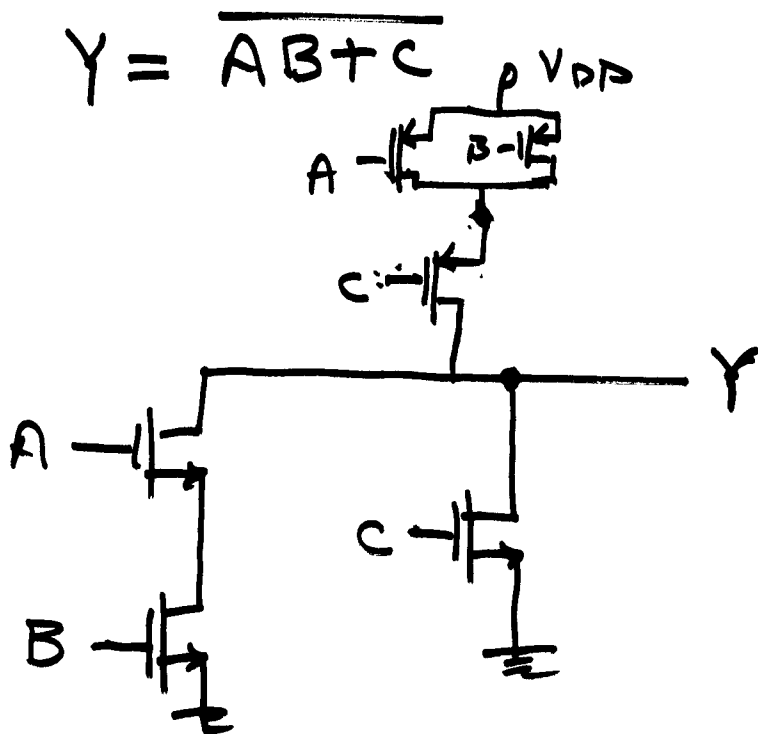
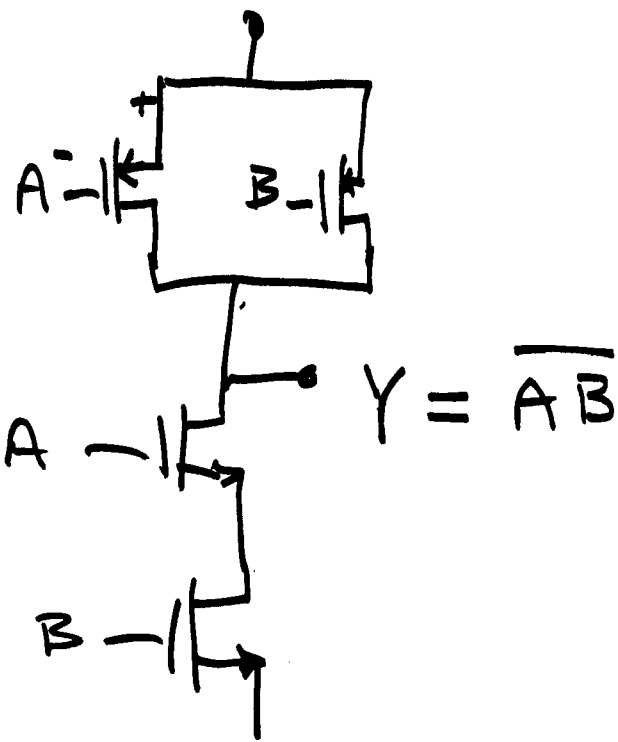


# CMOS





$$Y = \overline{A(B+C)}$$

