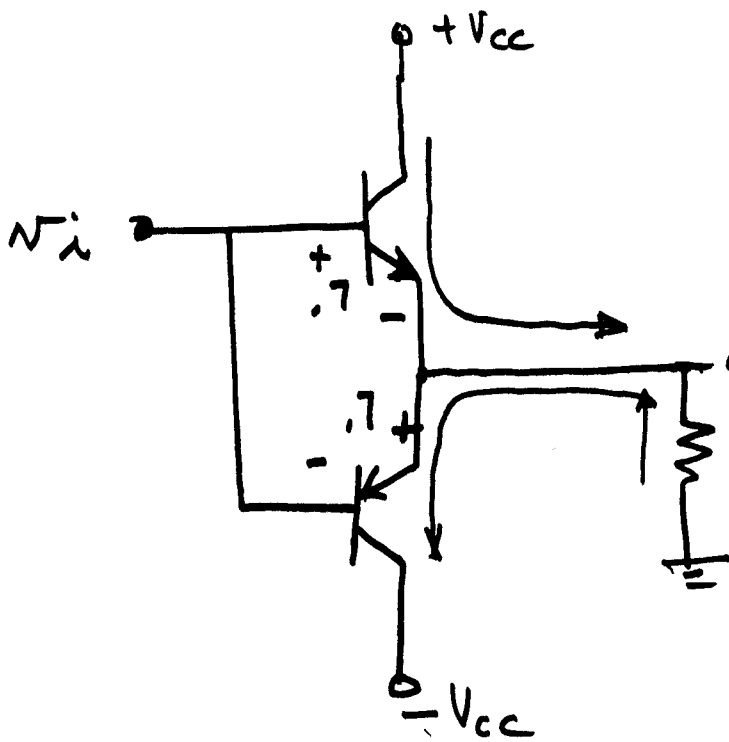


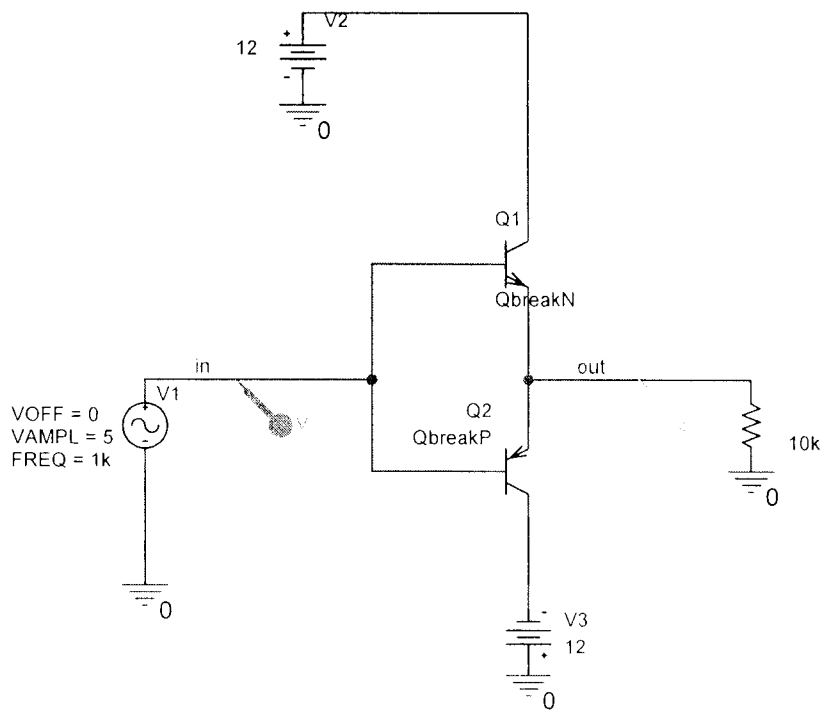
$$v_{fb} \approx v_i$$



CLASS B

$$v_o = v_i - 0.7 \text{ for } v_i > 0.7$$

$$v_o = v_i + 0.7 \text{ for } v_i < -0.7$$



R1

